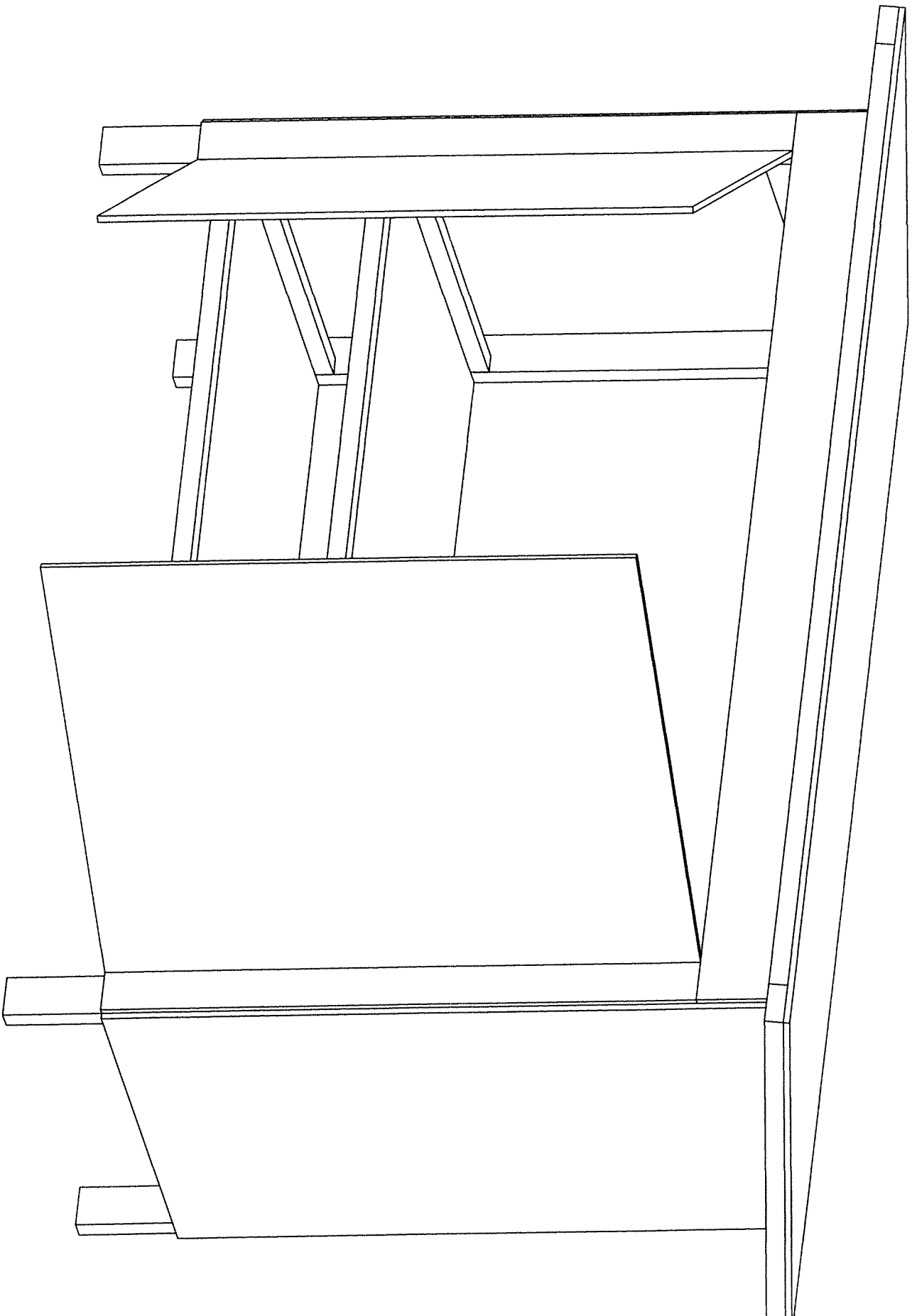
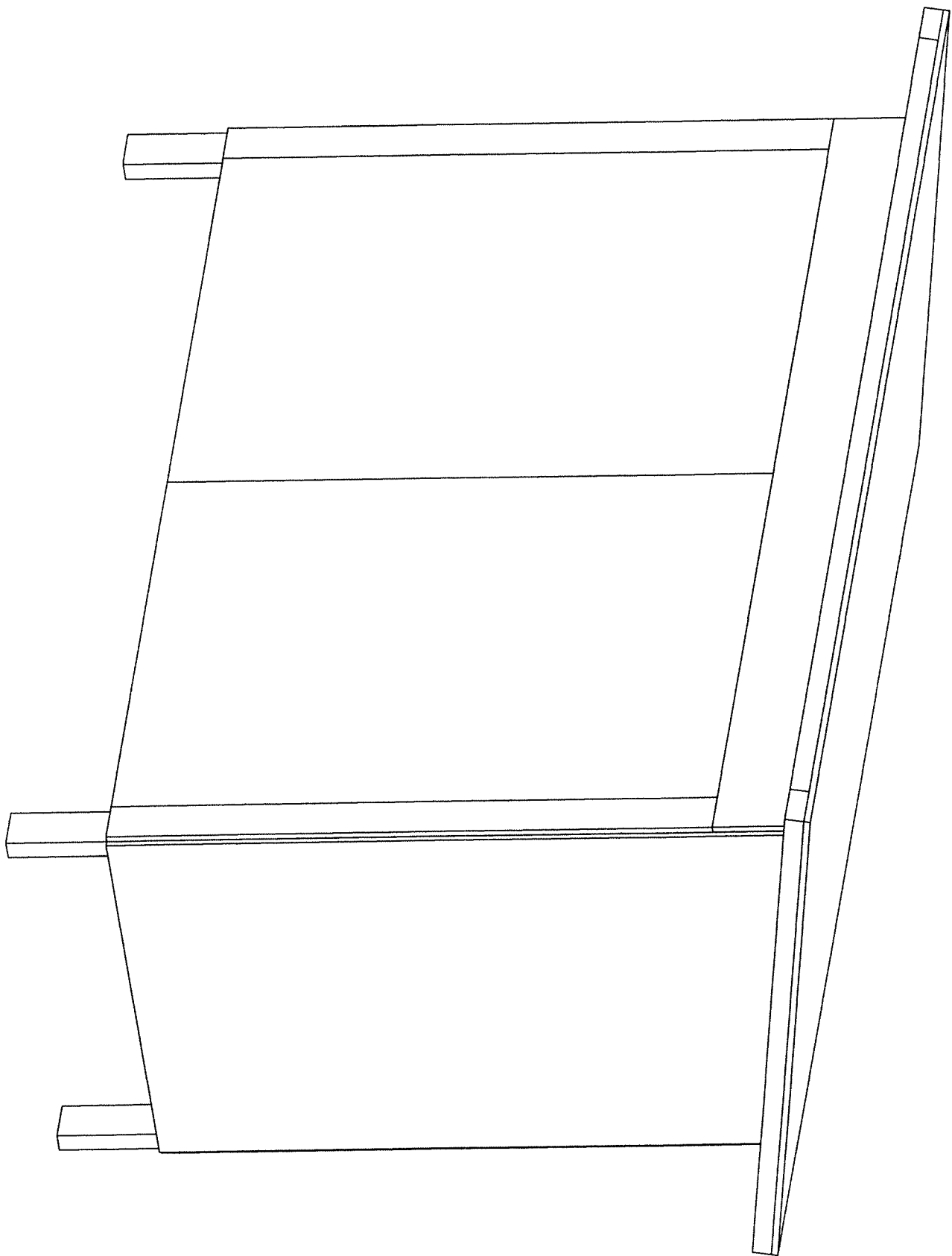
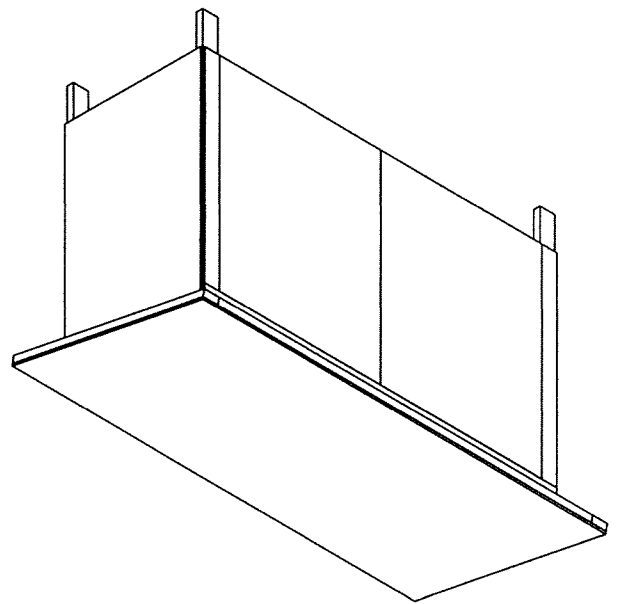
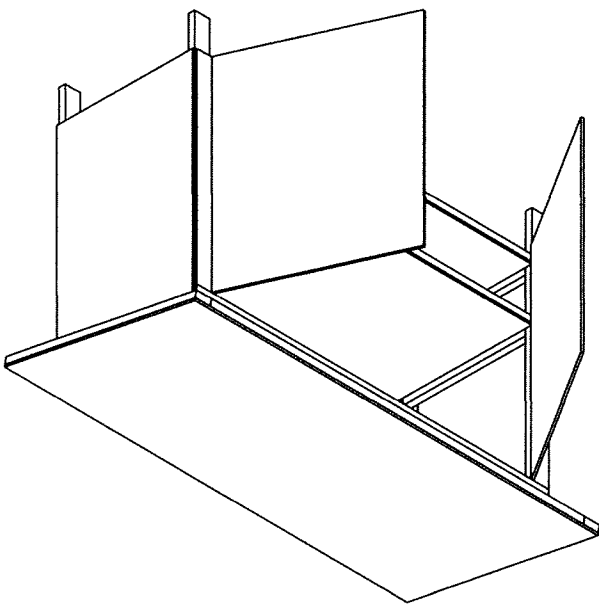
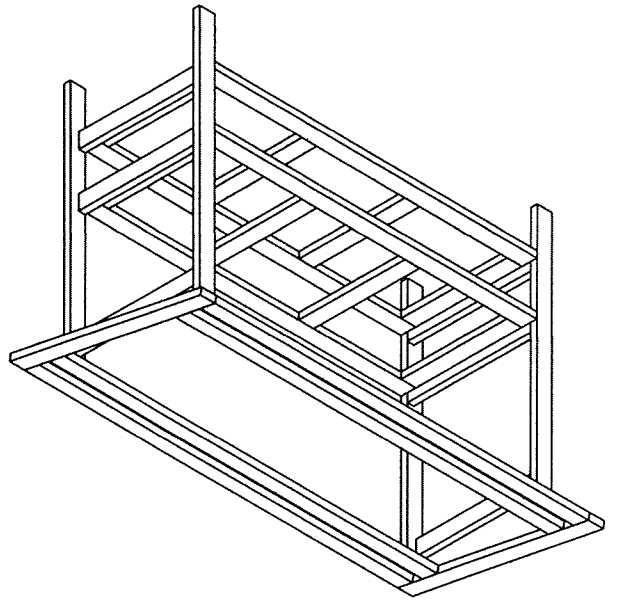
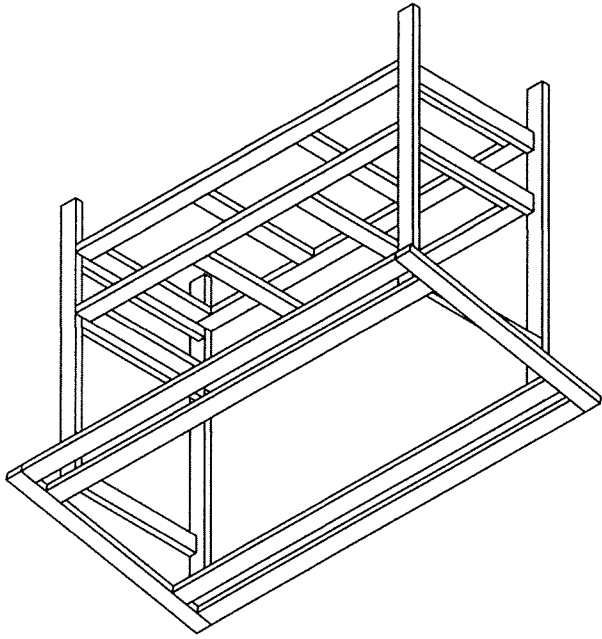


**FRONT**

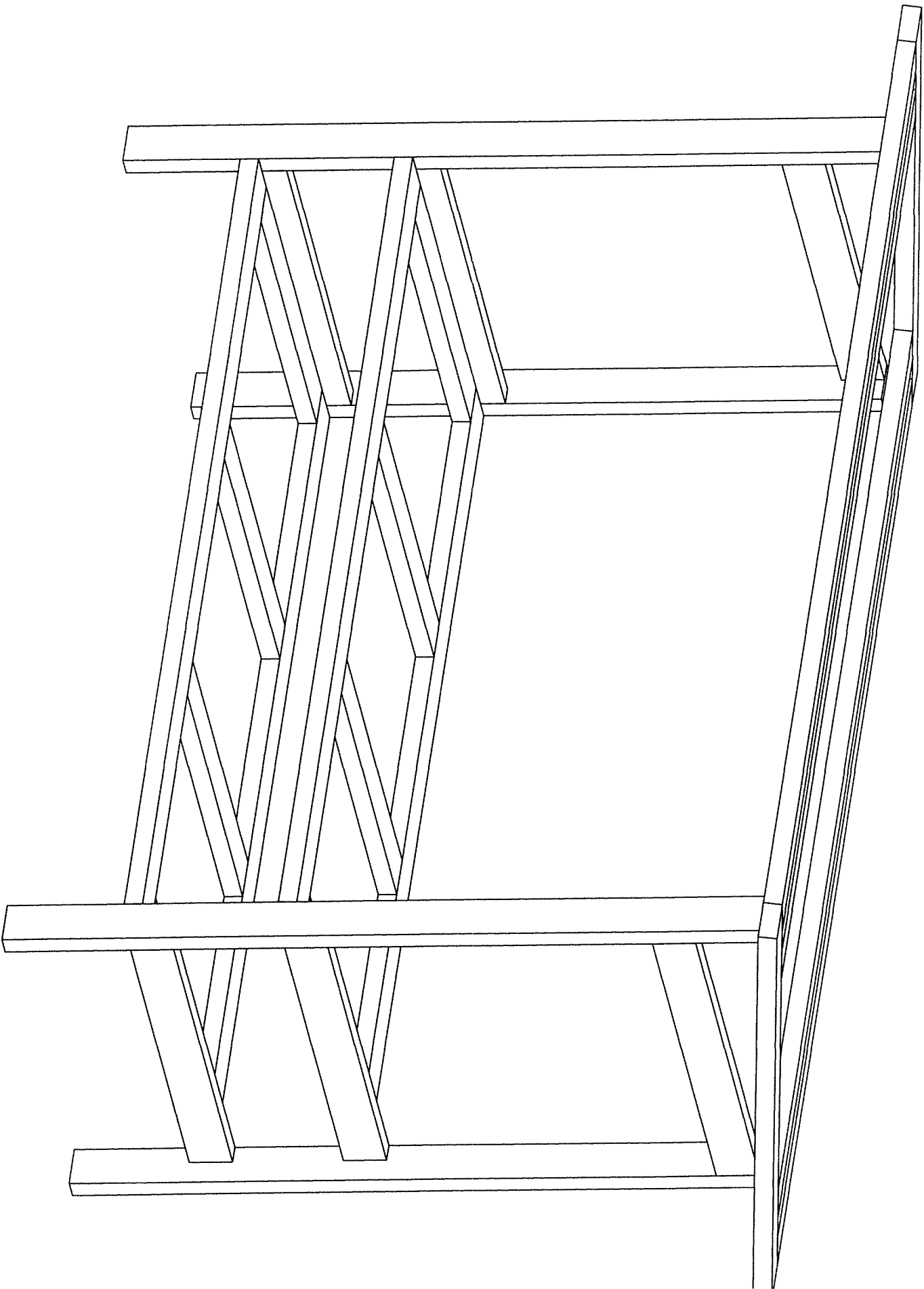


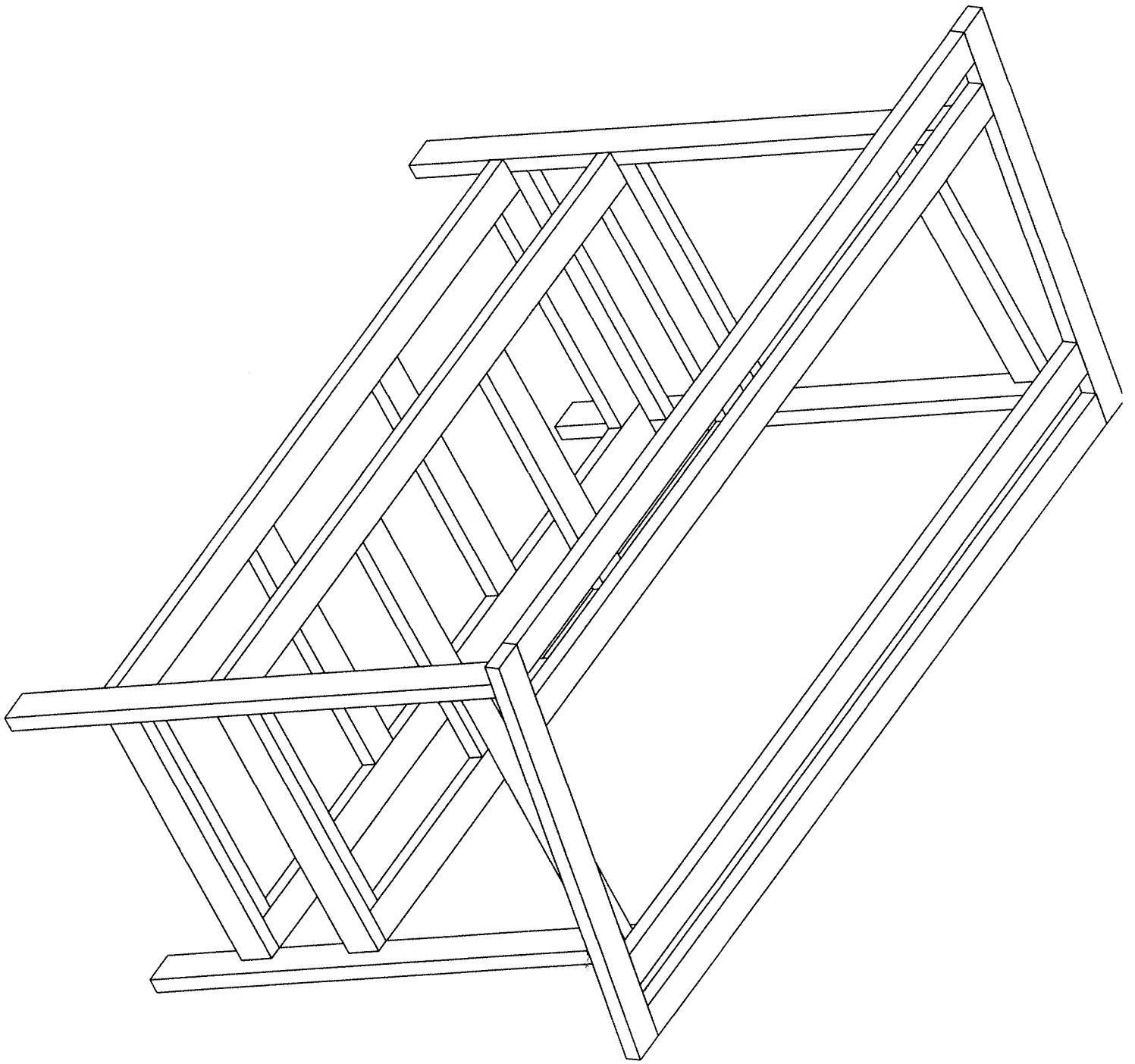
FRONT

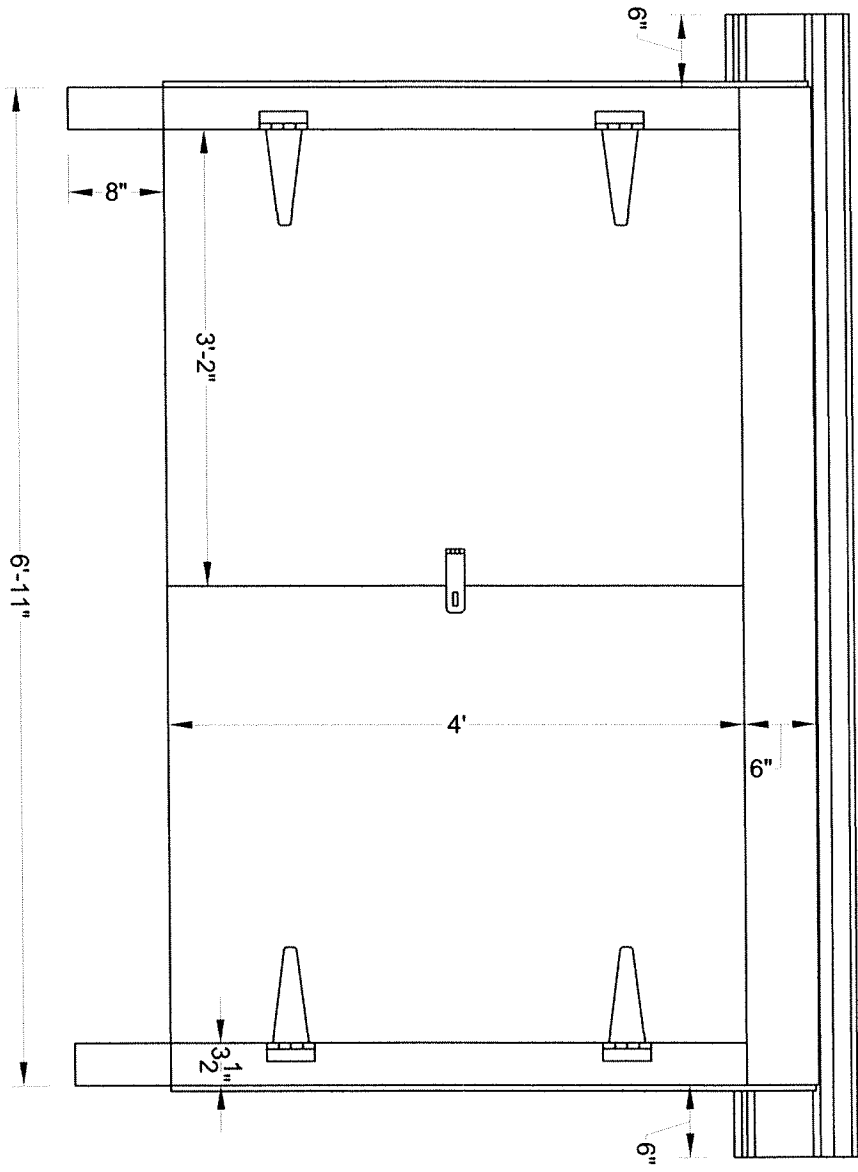




FRONT

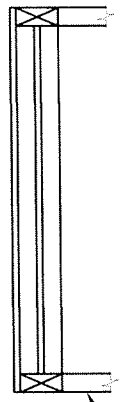




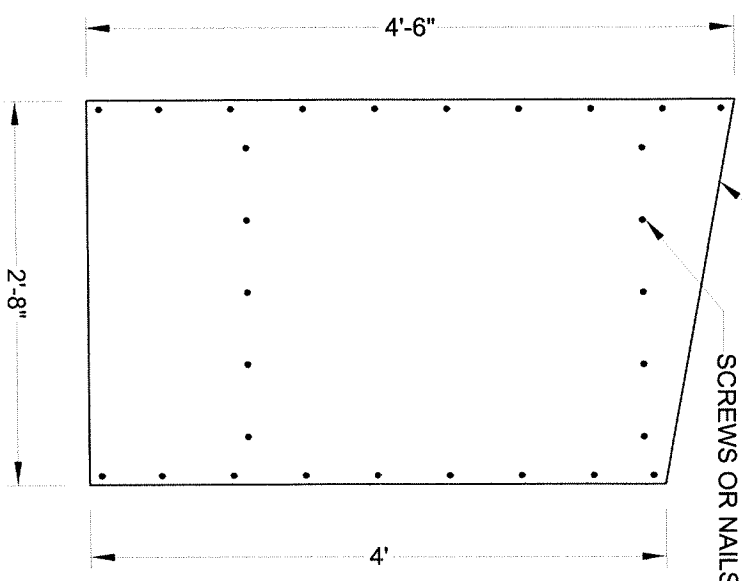
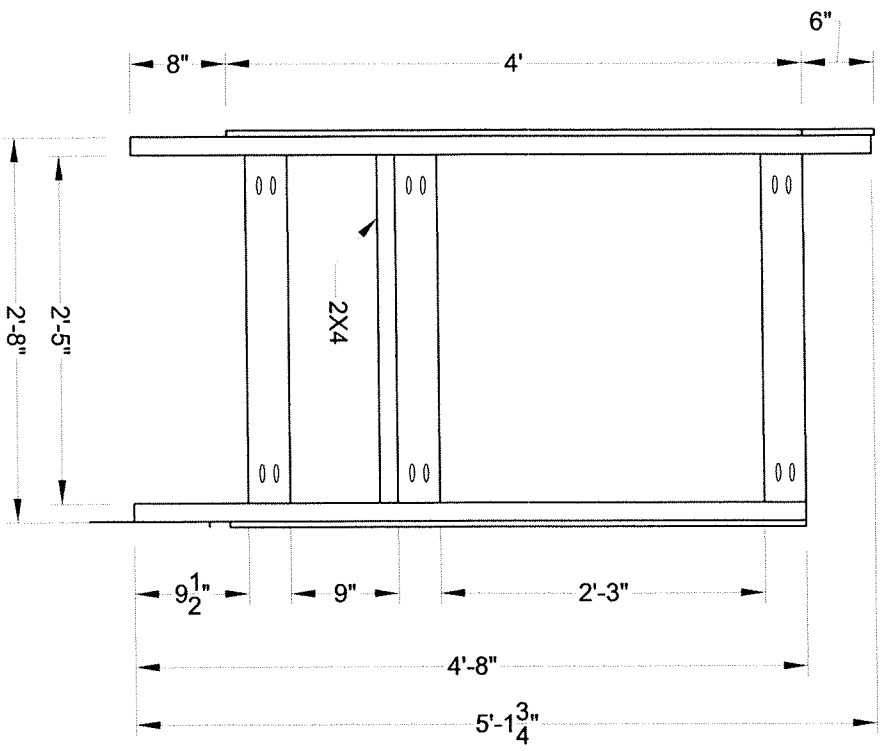


FRONT

# SIDE WALLS X2

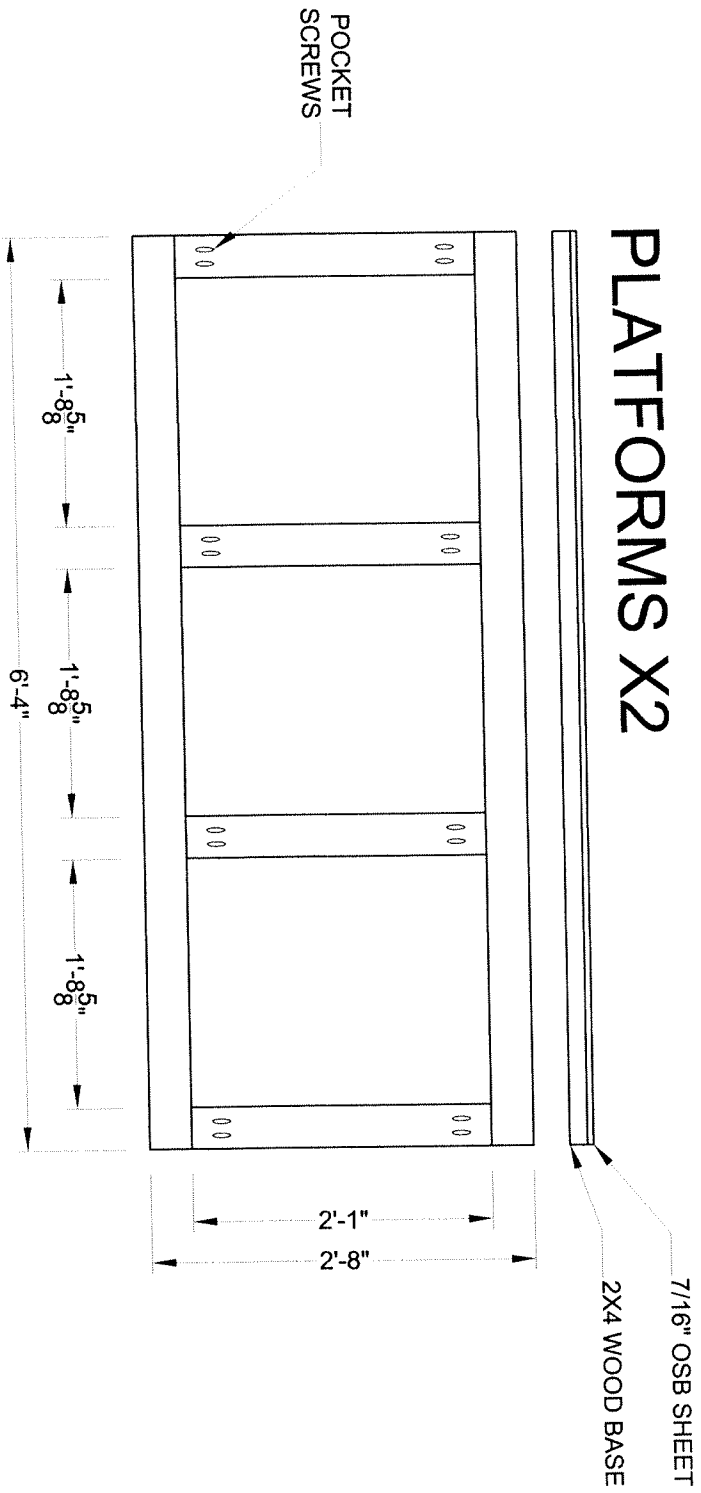


2X4 6'4" LONG TO CONNECT SIDE PANELS AT TOP  
AND PROVIDE ROOF ATTACHMENT



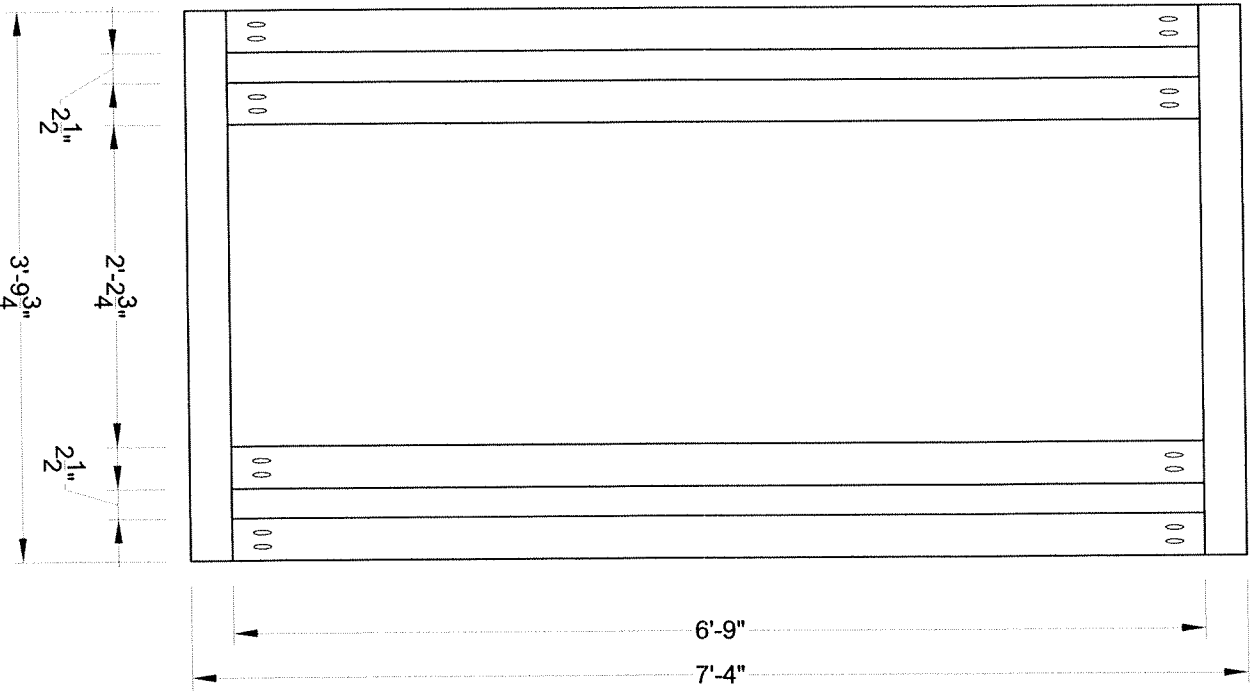
7/16" OSB SHEET  
SCREWS OR NAILS

# PLATFORMS X2

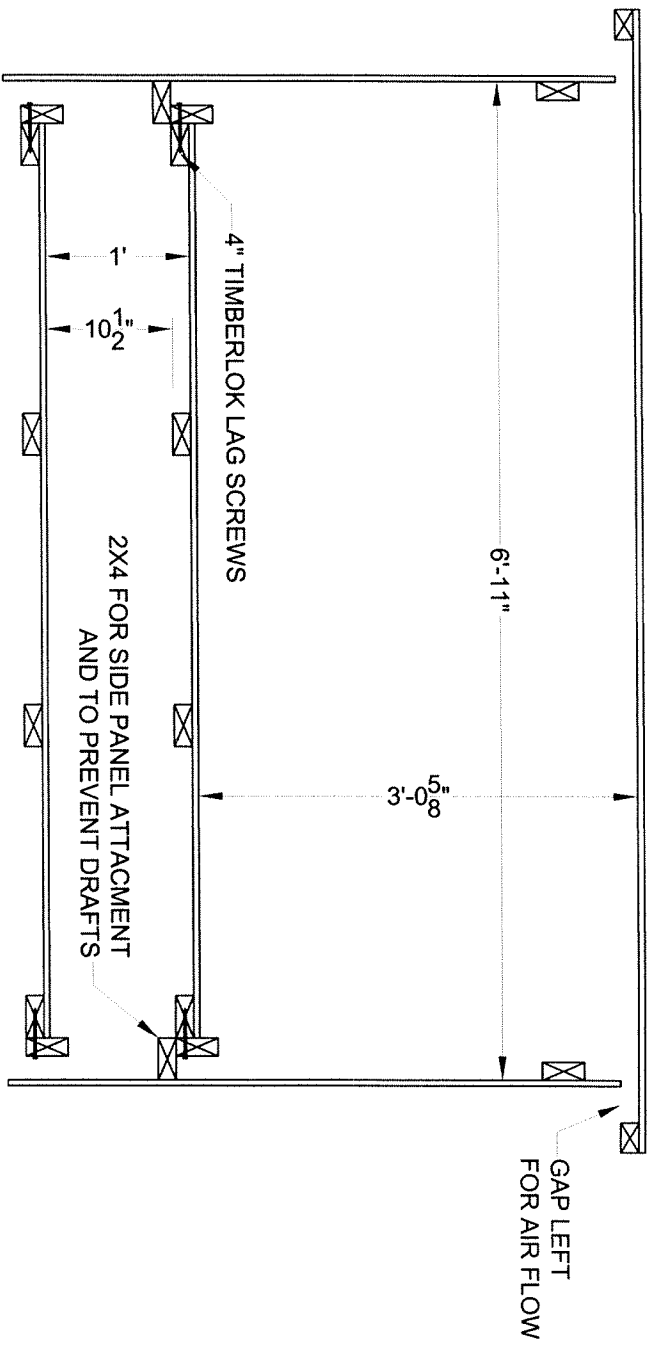


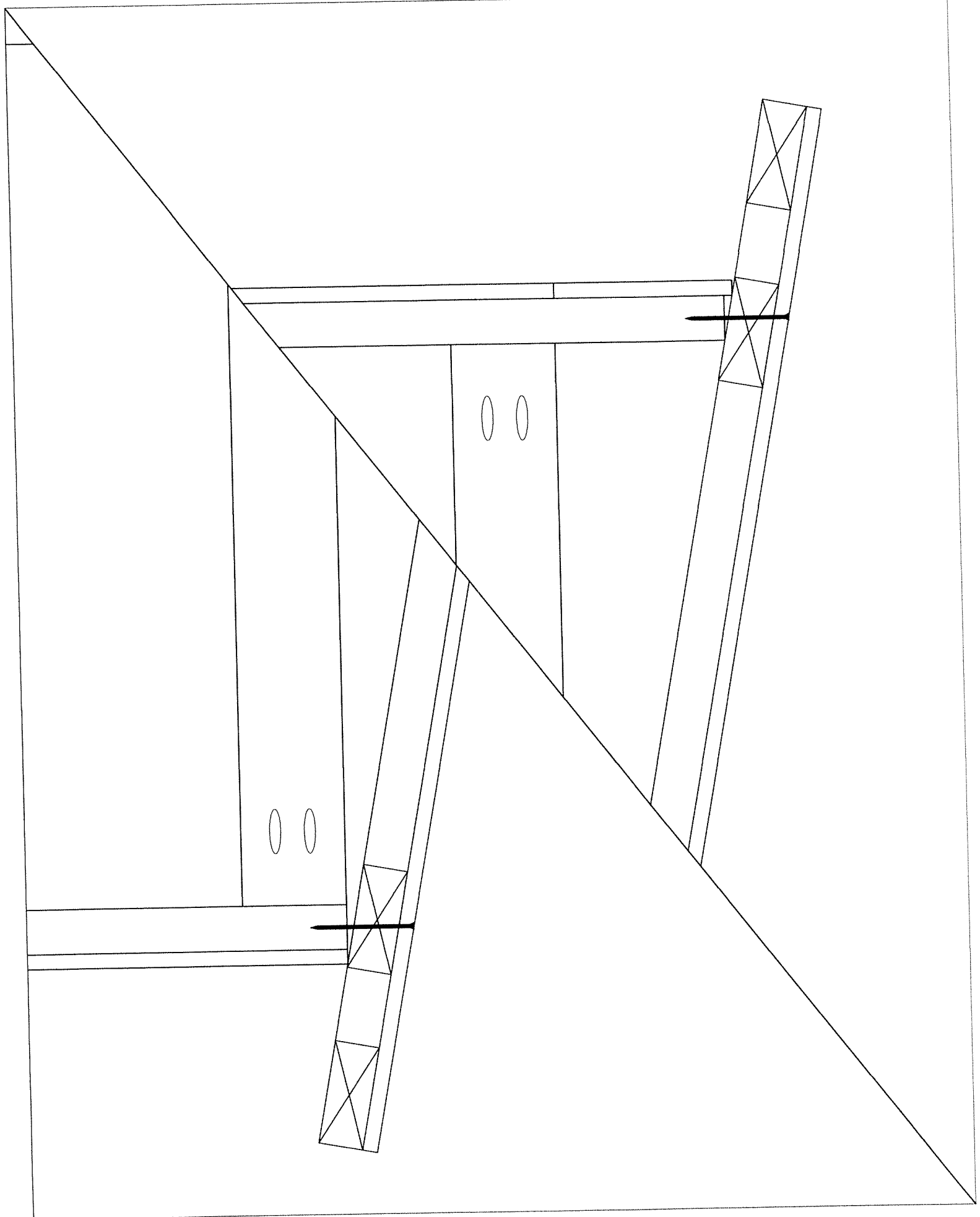


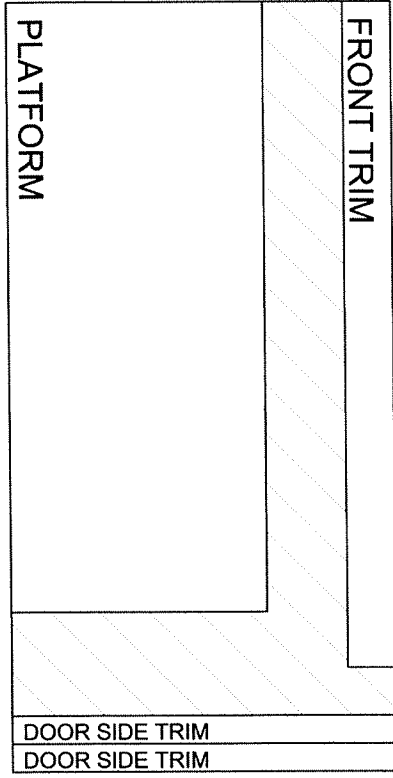
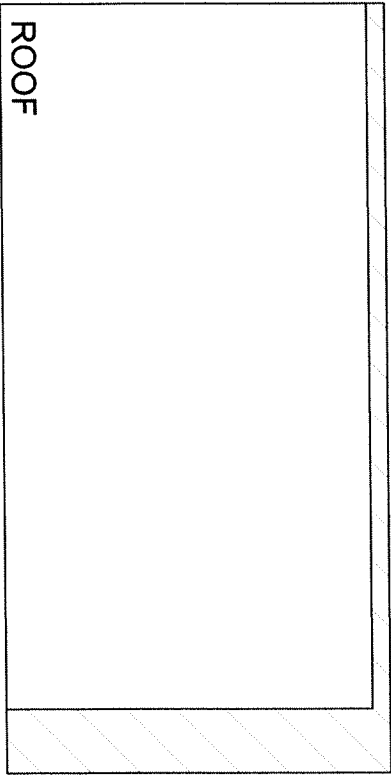
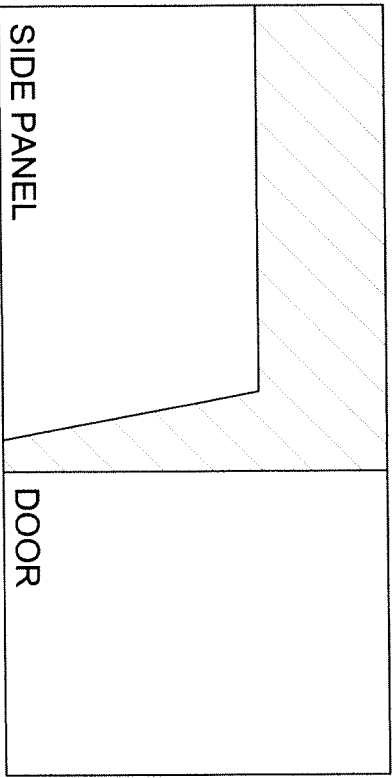
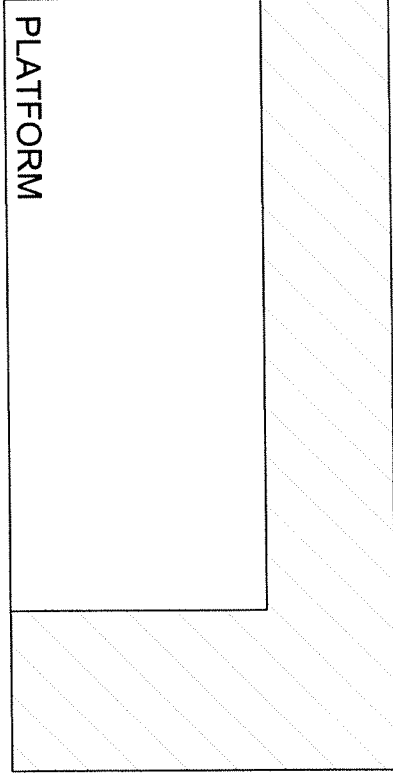
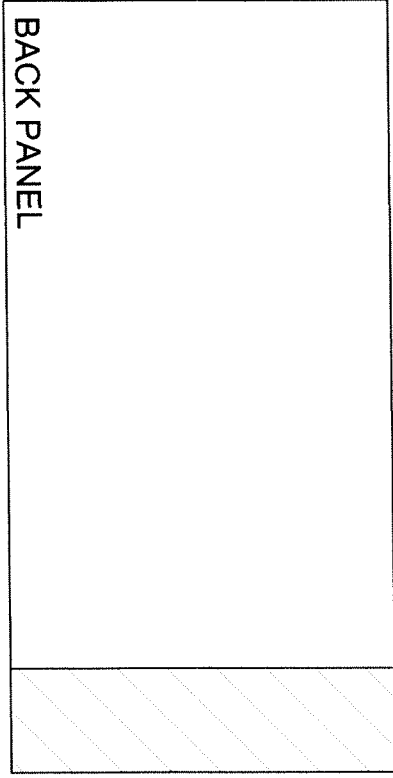
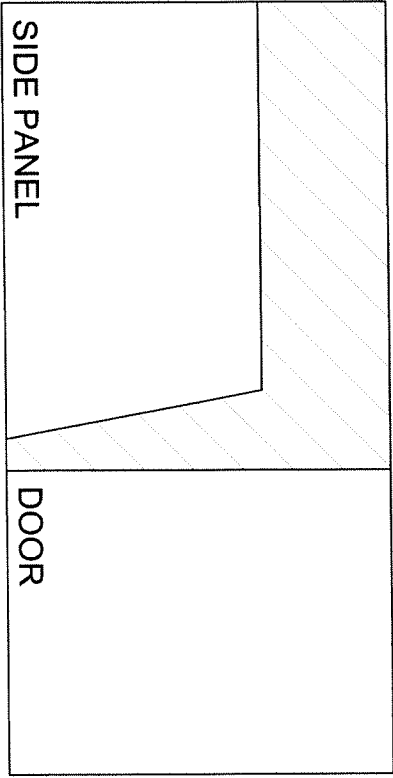
# ROOF



# DETAIL







1. SIDE FRONT SIDE
2. SIDE FRONT SIDE
3. SIDE BACK SIDE
4. SIDE BACK SIDE
5. SIDE SIDE SIDE
6. PLATFORM
7. PLATFORM
8. PLATFORM
9. PLATFORM
10. PLATFORM PLATFORM PLATFORM
11. PLATFORM PLATFORM PLATFORM
12. PLATFORM PLATFORM SIDE
13. ROOF
14. ROOF
15. ROOF
16. ROOF
17. ROOF ROOF
18. TOP SUPPORT
19. TOP SUPPORT